

Barceló 6 / 8 Person Dining Table Assembly Instructions

Recommendations

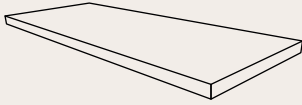
N.B. It is important to carefully read all instructions before beginning the assembly and before use of the furniture.

Keep the assembly instructions for future use.

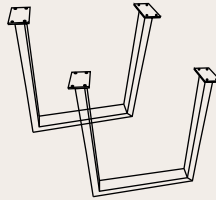
A minimum of 2 people are required for assembly.

It is recommended to assemble the Barceló 6 / 8 Person Dining Table in its final place where it will be installed.

Content



Tabletop
(1 Piece)



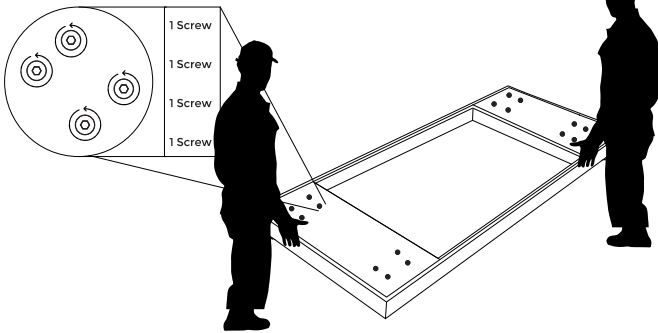
2 Metal Legs
(2 Piece)



Screws
(16 Pieces)

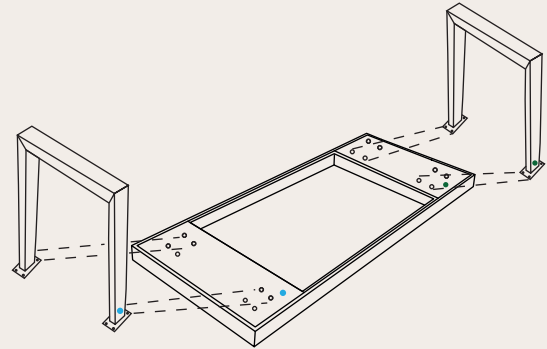
Step 1:

Remove all packaging from all pieces. Flip tabletop over and place on a flat surface. Remove all bolts.



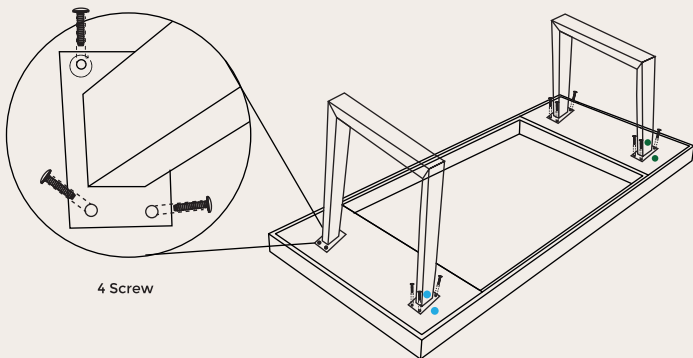
Step 2:

Match each pedestal with the proper side. They are color coded to match up.



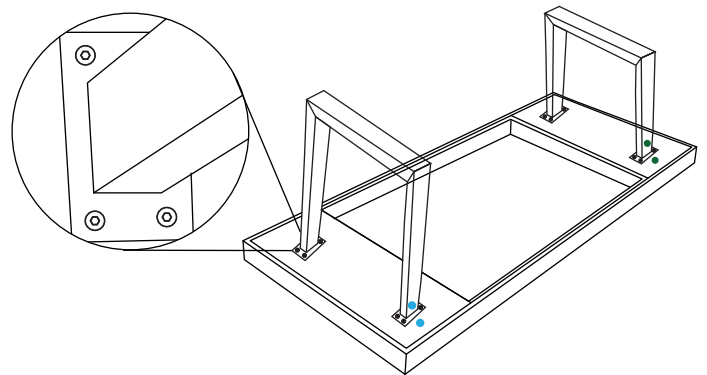
Step 3:

After you have matched each leg with the proper color start screwing on the bolts.



Step 4:

Insert all bolts and tighten each bolt tightly



Step 5:

With the help of another person flip the table over and place in its proper location.

